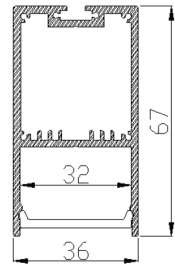


EPS 3667

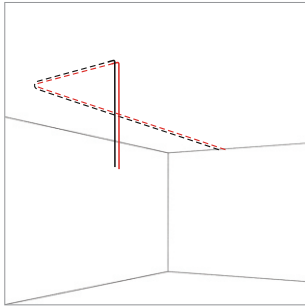
This box contains:
 Aluminum Profile - 2500mm
 Diffuser - 2500mm
 End caps - 4 pieces



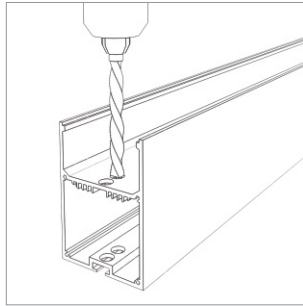
Installation instructions with the power supply inside the fixture



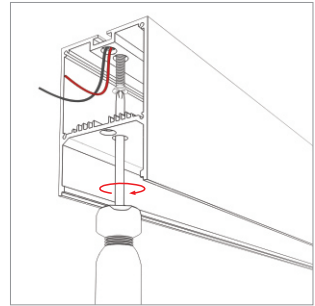
"Prior to installation, run the electrical wire to the location of the fixture."



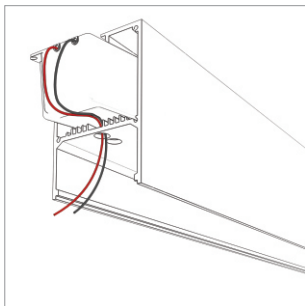
1 | Make sure the electrical wire is connected to the light switcher.



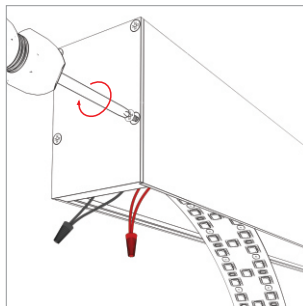
2 | Drill a hole into the fixture for low voltage wires.



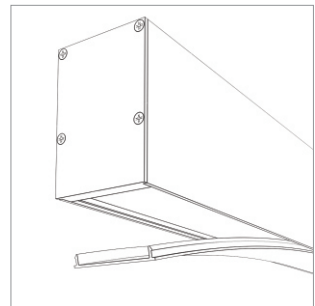
3 | Run the wires through the hole, then secure the fixture into the surface.



4 | Place the power supply inside the fixture and connect the electrical wires.

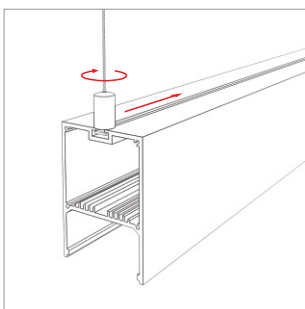


5 | Secure the end caps and install the LED strip on the fixture surface.

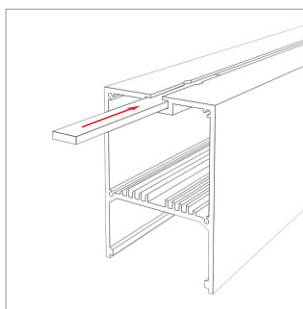


6 | Install the diffuser.

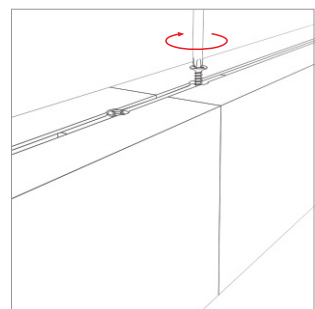
Instruction for suspended installation



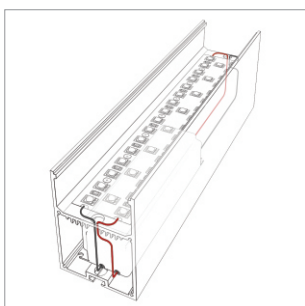
Instruction for fixtures longer than 2500mm



1 | Install the two fixtures together using a connection piece.



2 | Drill in the connection piece where both fixtures connect.



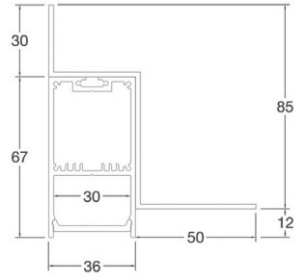
"Electrical connection must be made from both sides for fixtures longer than 2500mm"

EPS 3667 (wall)

Kit:

Net: 250mm - 4 pcs

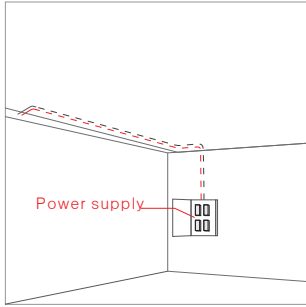
Screw - 32 pcs



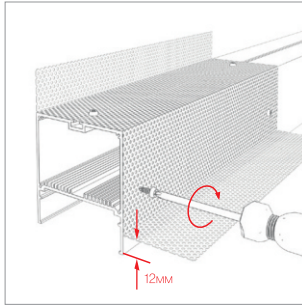
Installation for Wall washer Profile



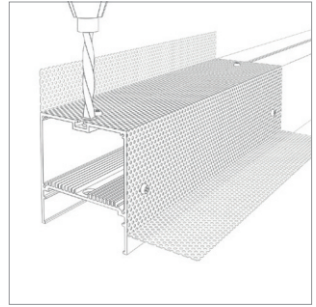
Prior to installation, choose a location for the power supply and make sure that it is connected to the light switcher.



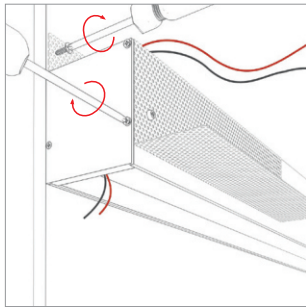
1 | Make the electrical connection to the power supply and then run the wires to the location of the light fixture.



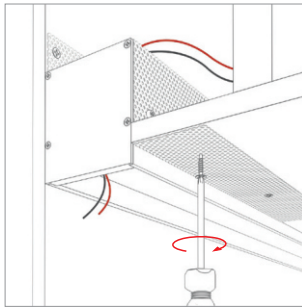
2 | Install the net.



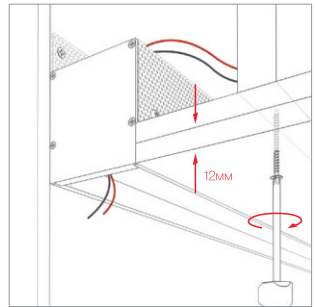
3 | Drill a hole into the fixture for low voltage wires and for mounting brackets.



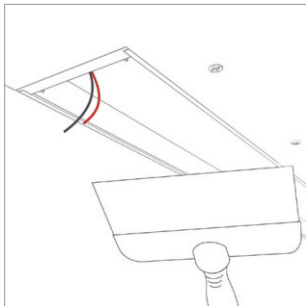
4 | Secure the end caps and fix the luminaire on the wall, wires through the hole.



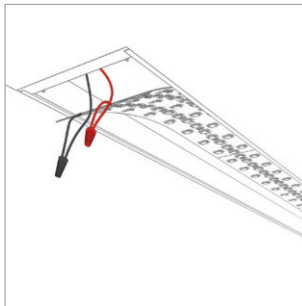
5 | Fix the first drywall.



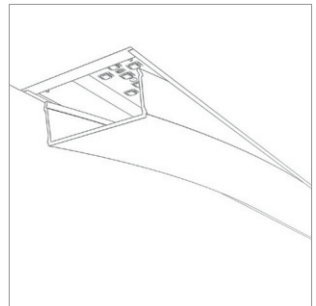
6 | Fix the second drywall.



7 | Brush the ceiling with lime paste.

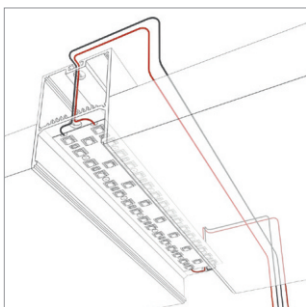


8 | Install the LED strip on the fixture surface and connect the power supply.



9 | Install the diffuser.

Instruction of connect the electrical wires for fixtures longer than 2500mm.



Electrical connection must be made from both sides for fixtures longer than 2500mm.