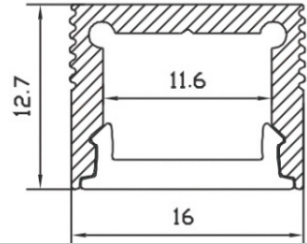


## EPS 1613

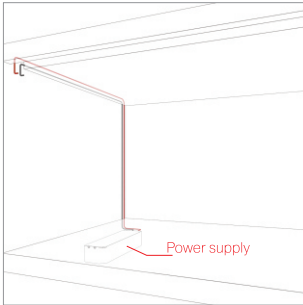
This box contains:  
Aluminum Profile - 2500mm  
Diffuser - 2500mm  
End caps - 4 pieces  
Mounting brackets - 8 pieces



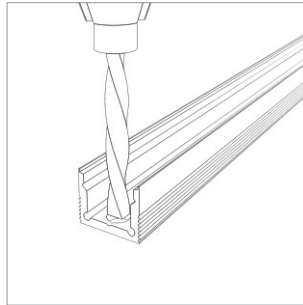
### Installation instructions



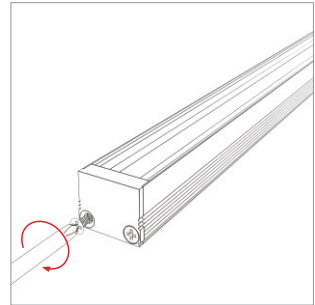
"Prior to installation, choose a location for the power supply and make sure that it is connected to the light switch."



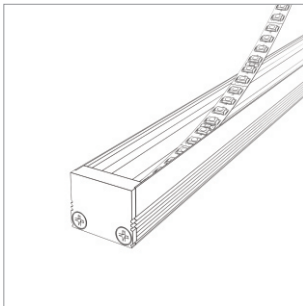
1 | Make the electrical connection to the power supply and then run the wires to the location of the light fixture.



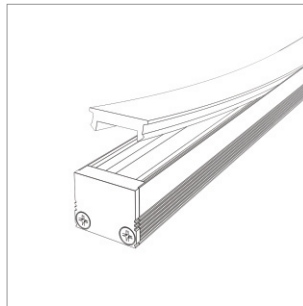
2 | Drill a hole into the fixture for low voltage wires.



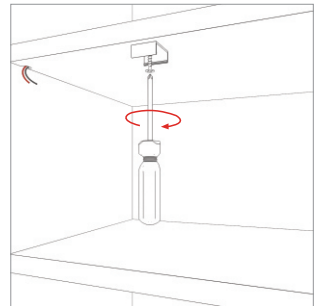
3 | Secure the end caps.



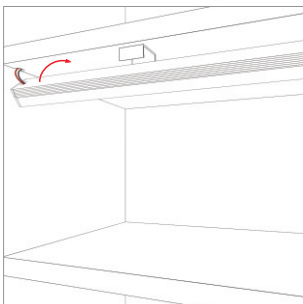
4 | Install the LED strip on the fixture surface.



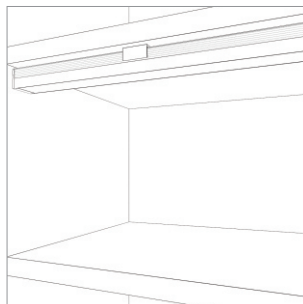
5 | Install the diffuser.



6 | Install the mounting brackets.



7 | Connect the wires and install the fixture into the mounting brackets.



8 | The fixture is ready for use. Enjoy the light!