

## EPG 3030C

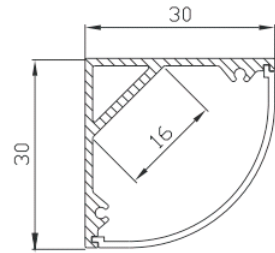
### This box contains:

Aluminum Profile - 2500mm

Diffuser - 2500mm

End caps - 4 pieces

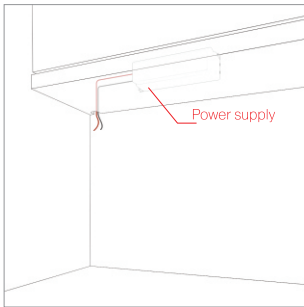
Mounting brackets - 8 pieces



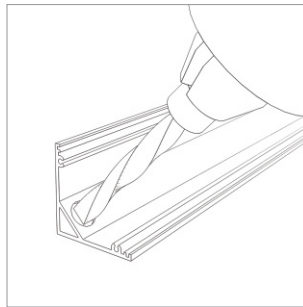
### Installation instructions



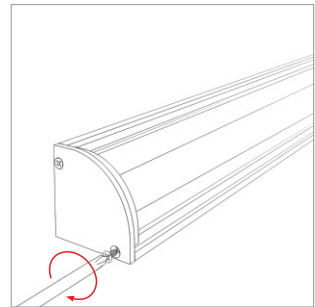
"Prior to installation, choose a location for the power supply and make sure that it is connected to the light switcher."



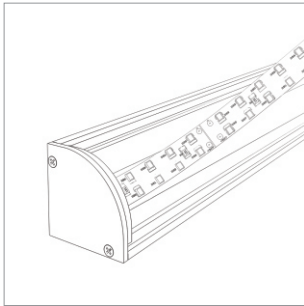
- 1 | Make the electrical connection to the power supply and then run the wires to the location of the light fixture.



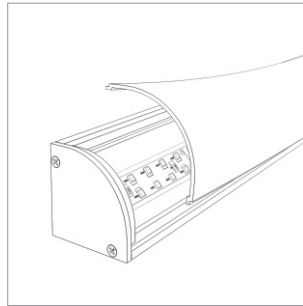
- 2 | Drill a hole into the fixture for low voltage wires.



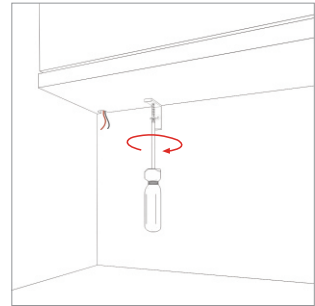
- 3 | Secure the end caps.



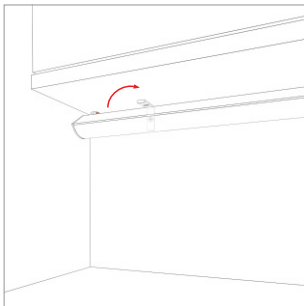
- 4 | Install the LED strip on the fixture surface.



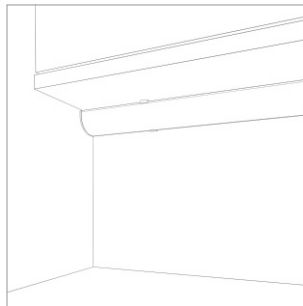
- 5 | Install the diffuser.



- 6 | Install the mounting brackets.



- 7 | Connect the wires and install the fixture into the mounting brackets.



- 8 | The fixture is ready for use. Enjoy the light!