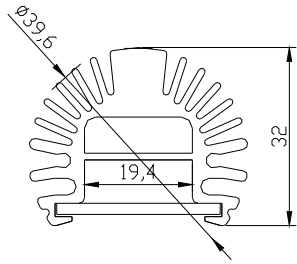


## EPE 2020

This box contains:  
Aluminum Profile - 2500mm  
Diffuser - 2500mm  
End caps - 4 pieces  
Mounting brackets - 4 pieces



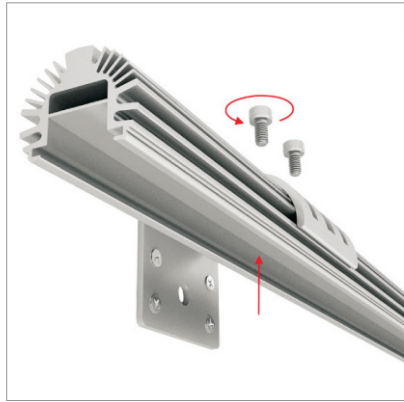
### Installation instructions



"Prior to installation, choose a location for the power supply and make sure that it is connected to the light switch."



1 | The bracket is fixed to the wall.



2 | Fix the profile.



3 | Connect the led strip.



4 | Install the cover.



5 | Fix end caps.



6 | Installation finished.