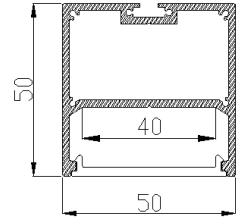


EPS 5050

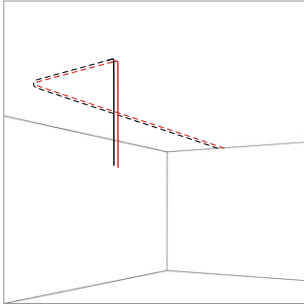
This box contains:
 Aluminum Profile - 2500mm
 Diffuser - 2500mm
 End caps - 4 pieces



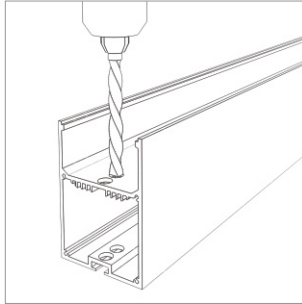
Installation instructions with the power supply inside the fixture



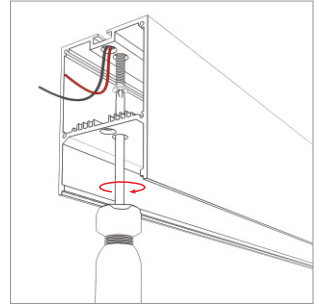
"Prior to installation, run the electrical wire to the location of the fixture."



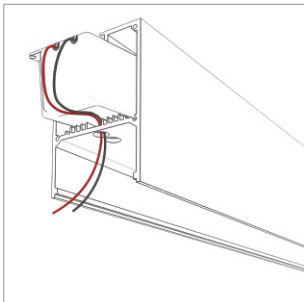
1 | Make sure the electrical wire is connected to the light switcher.



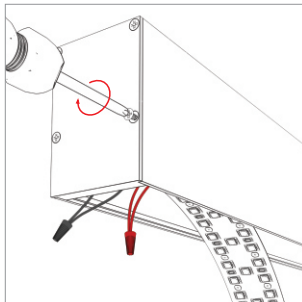
2 | Drill a hole into the fixture for low voltage wires.



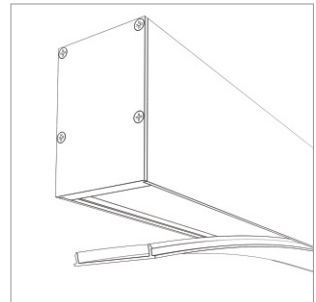
3 | Run the wires through the hole, then secure the fixture into the surface.



4 | Place the power supply inside the fixture and connect the electrical wires.

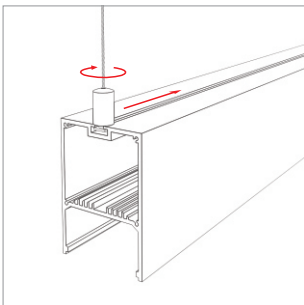


5 | Secure the end caps and install the LED strip on the fixture surface.

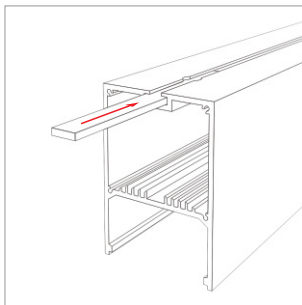


6 | Install the diffuser.

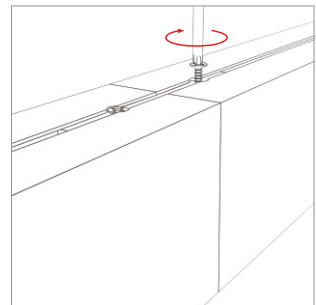
Instruction for suspended installation



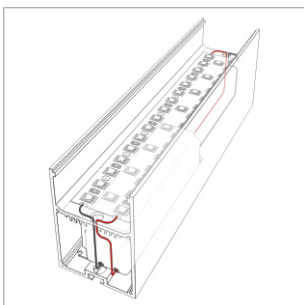
Instruction for fixtures longer than 2500mm



1 | Install the two fixtures together using a connection piece.



2 | Drill in the connection piece where both fixtures connect.



"Electrical connection must be made from both sides for fixtures longer than 2500mm"

EURO PROFILED

CONNECTOR 90°

Kit:

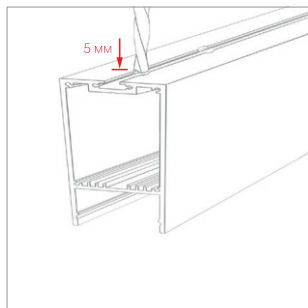
Connector-2PCS

Screw-12pcs

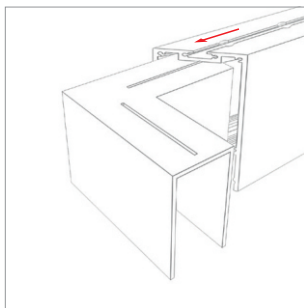
To connect more than one Profile



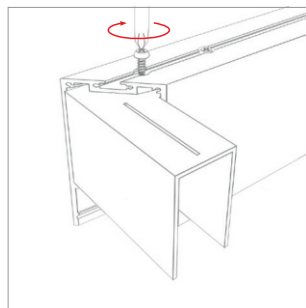
The part is the connector for LS.5050.



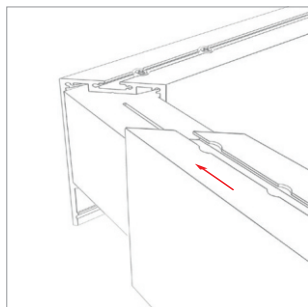
1 | Drill a hole into the fixture for cover the screw, keep it in the same level with the Profile, and the depth of hole is less than 5mm.



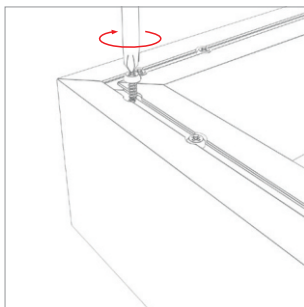
2 | Put the connector into the Profile.



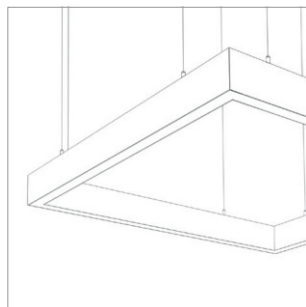
3 | Fix it with screw.



4 | Install another Profile.



5 | Fix it with screw.



6 | The fixture is ready for use.
Enjoy the light.

EURO PROFILED

CONNECTOR

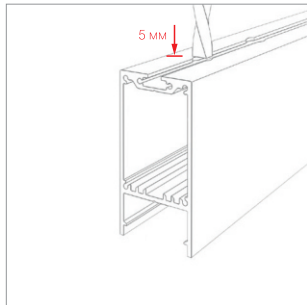
Kit:

Connector-1PCS

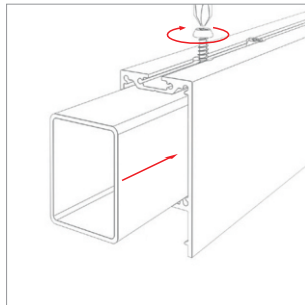
Screw-6pcs

To connect more than one Profile

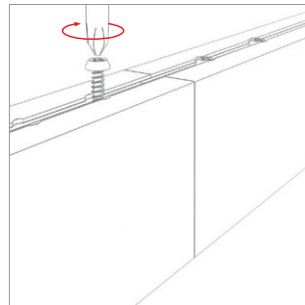
! The part is the connector for LS.5050.



1 | Drill a hole into the fixture for the screw, keep it in the same level with the Profile, and the depth of hole is less than 5mm.



2 | Put the connector into the Profile then fix with screw.



3 | Install and fix another Profile.