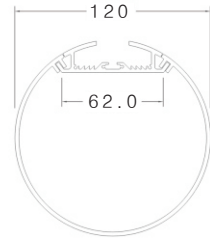


EURO PROFILED

EPT 120

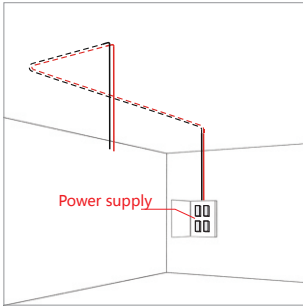
This box contains:
Aluminum Profile - 2500mm
Diffuser - 2500mm
End caps - 4 pieces



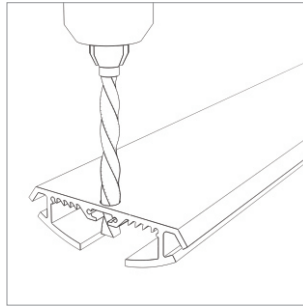
Installation instructions



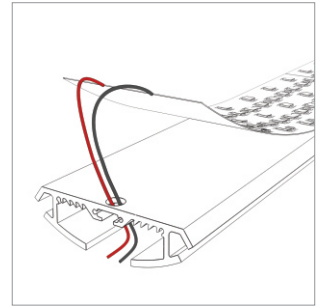
"Prior to installation, choose a location for the power supply and make sure that it is connected to the light switcher."



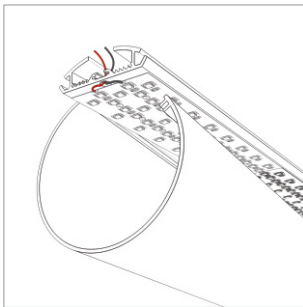
- 1 | Make the electrical connection to the power supply and then run the wires to the location of the light fixture.



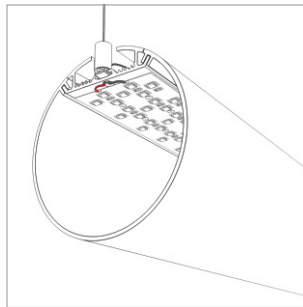
- 2 | Drill a hole into the fixture for low voltage wires.



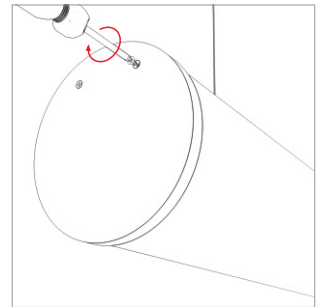
- 3 | Install the LED strip on the fixture surface.



- 4 | Install the diffuser.

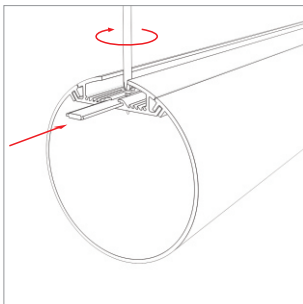


- 5 | Install the suspending system and connect the electrical wires.

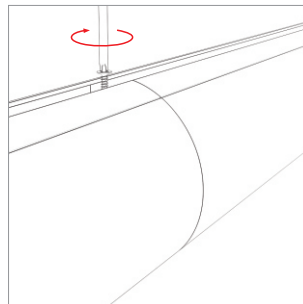


- 6 | Secure the end caps.

Instruction for fixtures longer than 2500mm



- 1 | Install the two fixtures together using a connection piece.



- 2 | Drill in the connection piece where both fixtures connect.