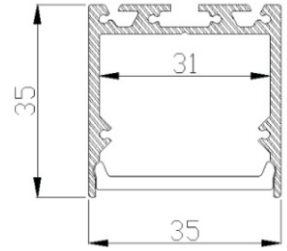


EPS 3535

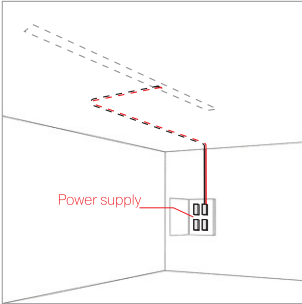
This box contains:
 Aluminum Profile - 2500mm
 Diffuser - 2500mm
 End caps - 4 pieces
 Mounting brackets - 8 pieces



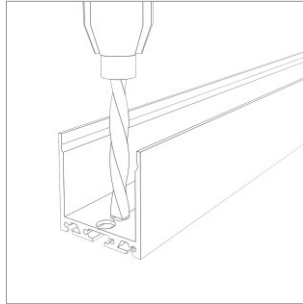
Installation instructions



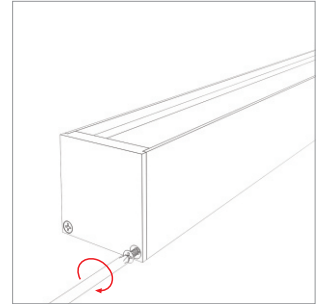
"Prior to installation, choose a location for the power supply and make sure that it is connected to the light switch."



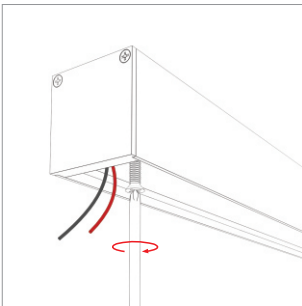
1 | Make the electrical connection to the power supply and then run the wires to the location of the light fixture.



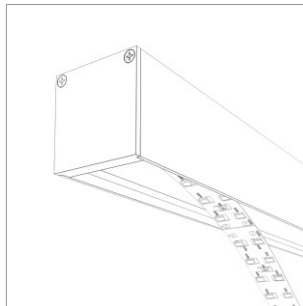
2 | Drill a hole into the fixture for low voltage wires.



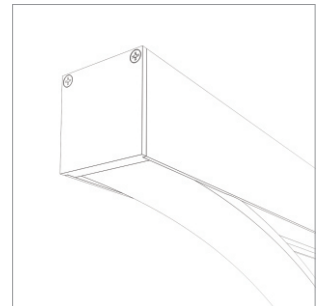
3 | Secure the end caps.



4 | Run the wires through the hole, then secure the fixture into the surface.

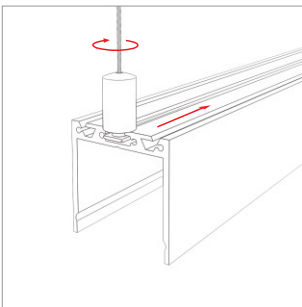


5 | Install the LED strip on the fixture surface.

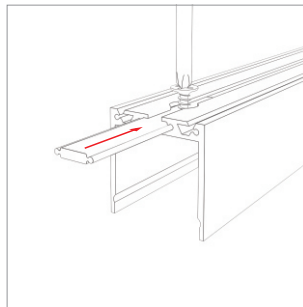


6 | Install the diffuser.

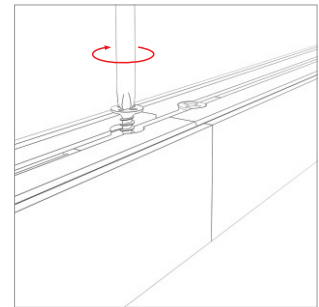
Instruction for suspended installation



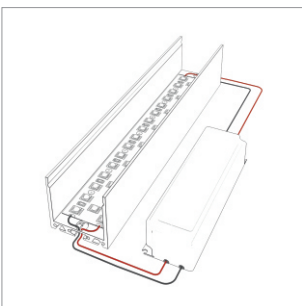
Instruction for fixtures longer than 2500mm



1 | Install the two fixtures together using a connection piece.



2 | Drill in the connection piece where both fixtures connect.



"Electrical connection must be made from both sides for fixtures longer than 2500mm"